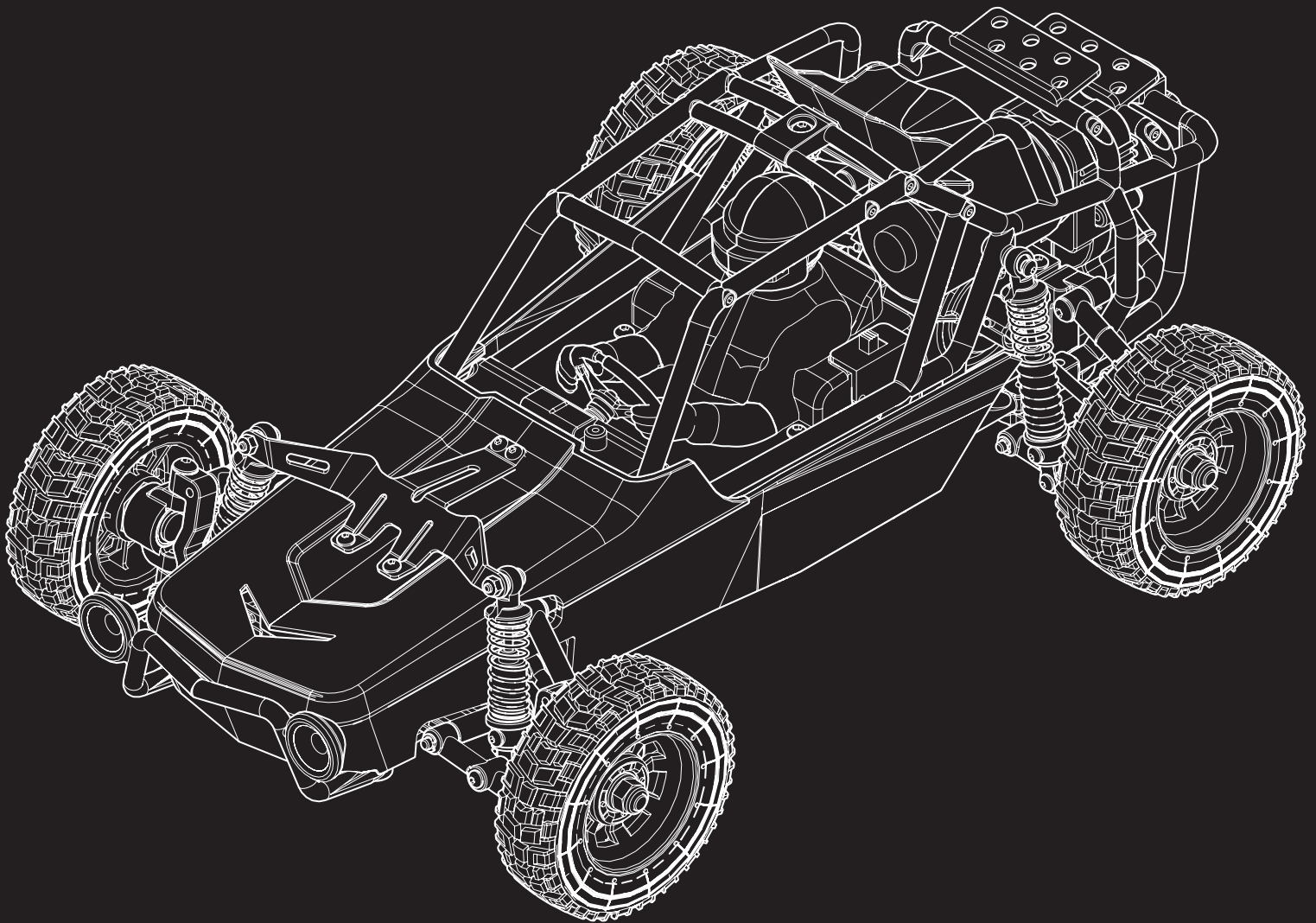


PLAYERUNKNOWN'S
BATTLEGROUNDS

PUBG BUGGY

MAINTENANCE MANUAL



SAFETY PRECAUTIONS 安全注意事項

Please read all the instructions and familiarize yourself with the product and its controls before operation.

1. This product is not a toy. It is a high performance model car therefore it is important to familiarize yourself with the model, its manual, and its construction before assembly or operation. Adult supervision is necessary for children operating this model.
2. Always keep this instruction manual on hand during assembly and for operating reference.
3. Do not use a power screwdriver to install screws into plastic parts. A power screwdriver's high rotation speed can heat up the screw being installed which can result in some melting of the plastic parts or stripped threads.
4. For best performance, it is important to make sure all the moving parts can move freely without binding.
5. This product, its parts, and its assembly tools can be harmful to your health. Always exercise extreme caution when assembling and operating this product. Keep away from any high speed rotating parts during operation.

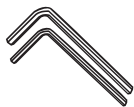
在您開始操作本產品之前，請詳閱本產品說明書。

1. 本產品為高性能模型產品非一般玩具，組裝與操作過程皆需由成人陪同。
請詳讀此本使用說明書，避免因組裝錯誤與操作不當造成損壞。
2. 請妥善保管此說明書，對於後續維修、操控說明將可提供您協助。
3. 請勿使用電動工具旋緊自攻螺絲於塑膠零件上，可能導致塑膠零件融化或滑牙。
4. 請檢視所有活動部位零件是否不受干涉、可靈活作動，以達車輛最佳性能。
5. 此項商品具有相當之危險性，於組裝、操控上的不熟悉都可能造成自身或他人的傷害。

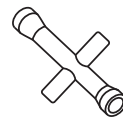
INDEX 索引

STEP 1	DIFFERENTIAL 差速器	P3	STEP 12	DRIVER SET 駕駛人偶	P10 . P11
STEP 2	GEAR BOX SET 齒輪箱組	P4	STEP 13	ROLL CAGE 防滾籠	P13
STEP 3	MOTOR DRIVE SET 馬達傳動組	P5	STEP 14	SHOCK MOUNT 避震器架	P14
STEP 4	REAR SUSPENSION 後擺臂	P6	STEP 15	FRONT SHOCKS 前避震器	P15
STEP 5	REAR SHOCKS 後避震器	P6	STEP 16	FRONT STEERING KNUCKLE 前轉向輪座	P15
STEP 6	EXHAUST PIPE 排氣管	P7	STEP 17	REAR KNUCKLE 後輪座	P16
STEP 7	SERVO 伺服器	P7	STEP 18	TIRES AND WHEELS 輪胎與輪框	P16
STEP 8	STEERING ROD 轉向拉桿	P8	STEP 19	TIRE 輪胎	P17
STEP 9	FRONT SUSPENSION 前擺臂	P8	STEP 20	BATTERY 電池	P17
STEP 10	BODY ASSEMBLY 車主體	P9	PARTS LIST 零件表	P18 . P19	
STEP 11	ESC AND RECEIVER 電子變速器與接收機	P10			

TOOLS REQUIRED FOR ASSEMBLY 組裝維修工具



Hex Driver Tool Set
(1.5/2.0)
六角板手組



Xwrench
十字套筒

SYMBOL REFERENCE KEY 說明書符號說明



Build right and left assembly
組裝左和右配件



Build front and rear assembly
組裝前和後配件



Assemble the parts two times
組裝相同配件兩次



Assemble the parts four times
組裝相同配件四次



TT Media Technology, Inc.

1F., NO.540, SEC. 1, MINSHENG N. RD.,
GUISHAN DIST., TAOYUAN CITY 333, TAIWAN



STEP 1

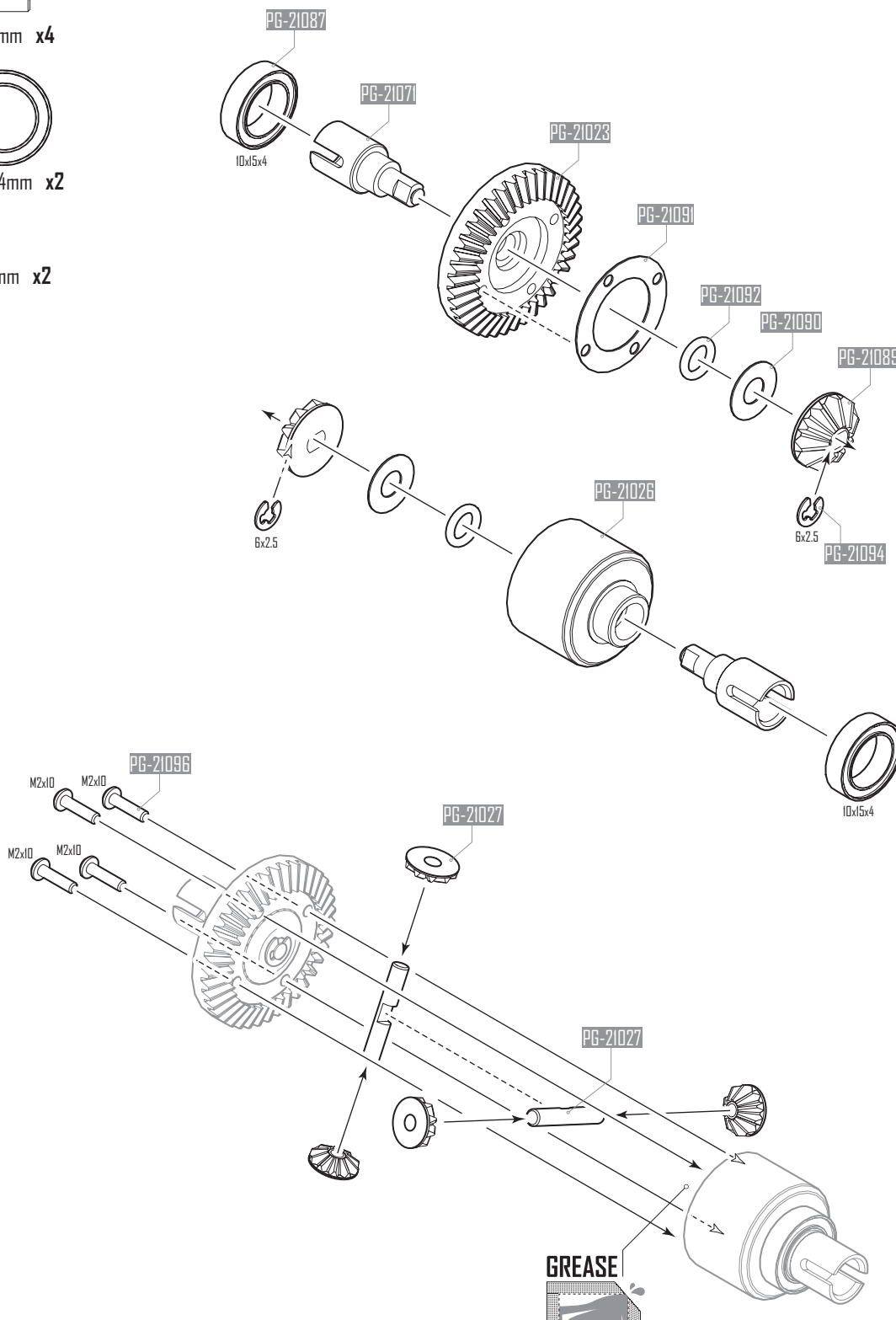
DIFFERENTIAL 差速器

BAG A

M2x10mm x4

10x15x4mm x2

6x2.5mm x2



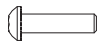


STEP 2

GEAR BOX SET 齒輪箱組

BAG 8


 M2.5x6mm x3

 M2.5x10mm x5

 M2.5x4mm x3

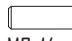
 M2.5x6mm x1

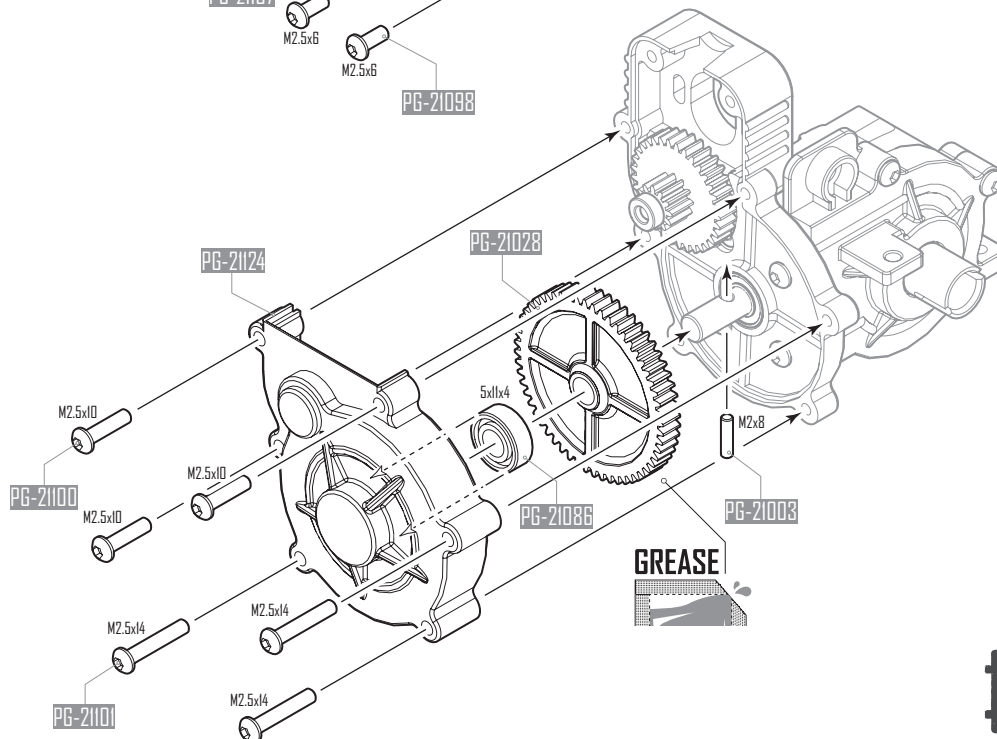
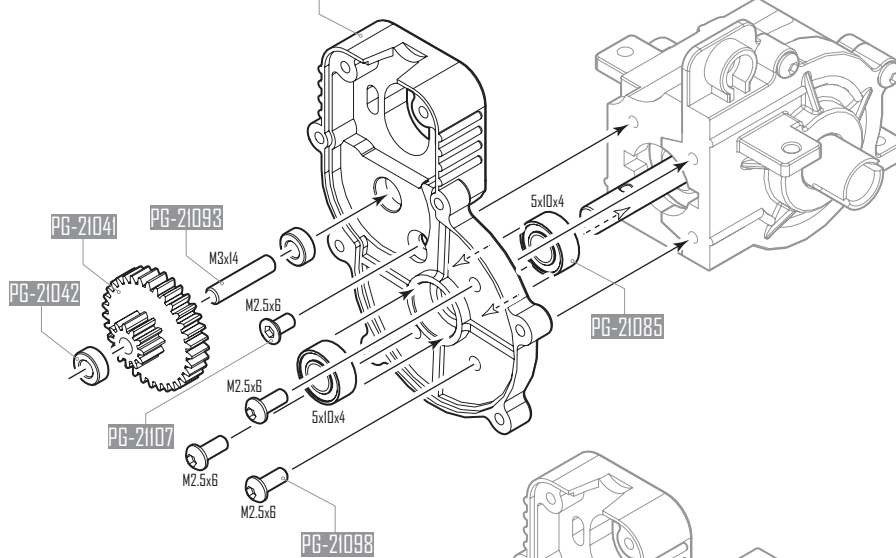
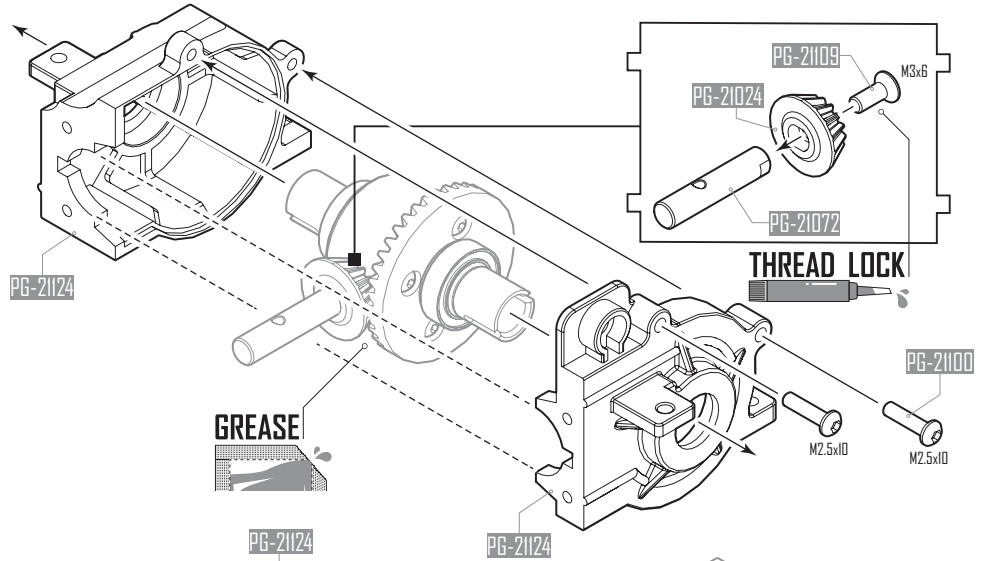
 M3x6mm x1

 5x10x4mm x2

 5x11x4mm x1

 M2x8mm x1

 M3x14mm x1





STEP 3

MOTOR DRIVE SET 馬達傳動組

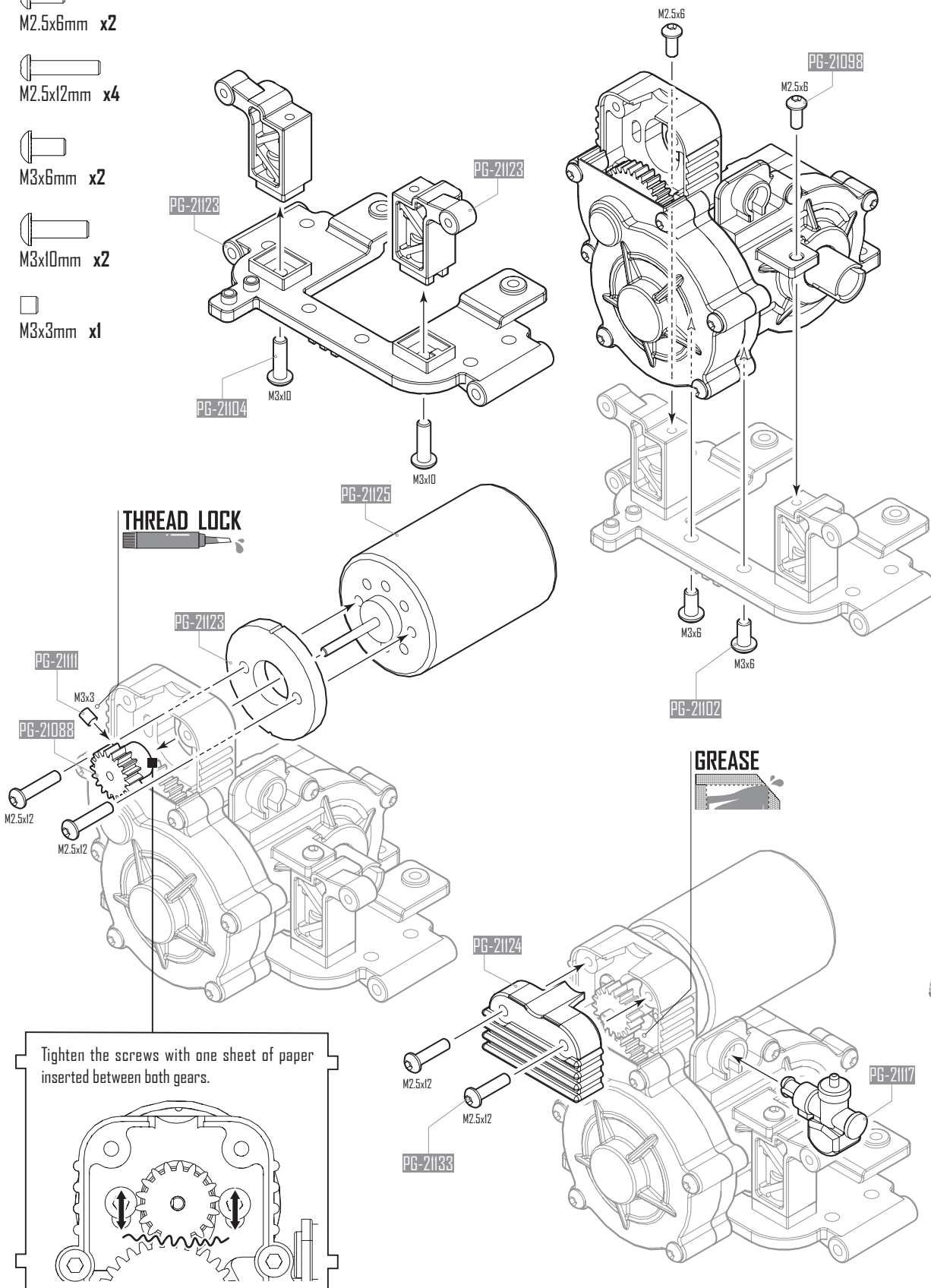
M2.5x6mm x2

M2.5x12mm x4

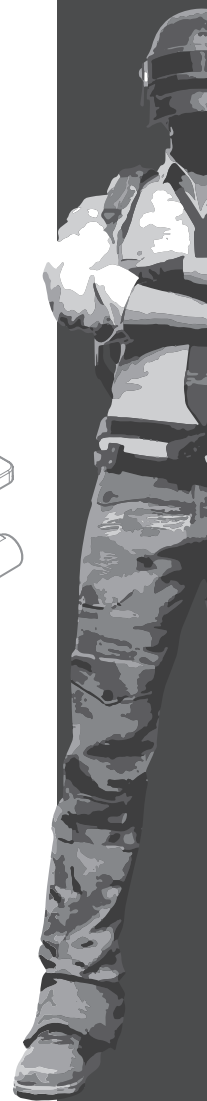
M3x6mm x2

M3x10mm x2

M3x3mm x1



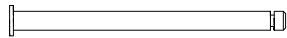
Tighten the screws with one sheet of paper inserted between both gears.



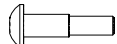


STEP 4

REAR SUSPENSION 後擺臂



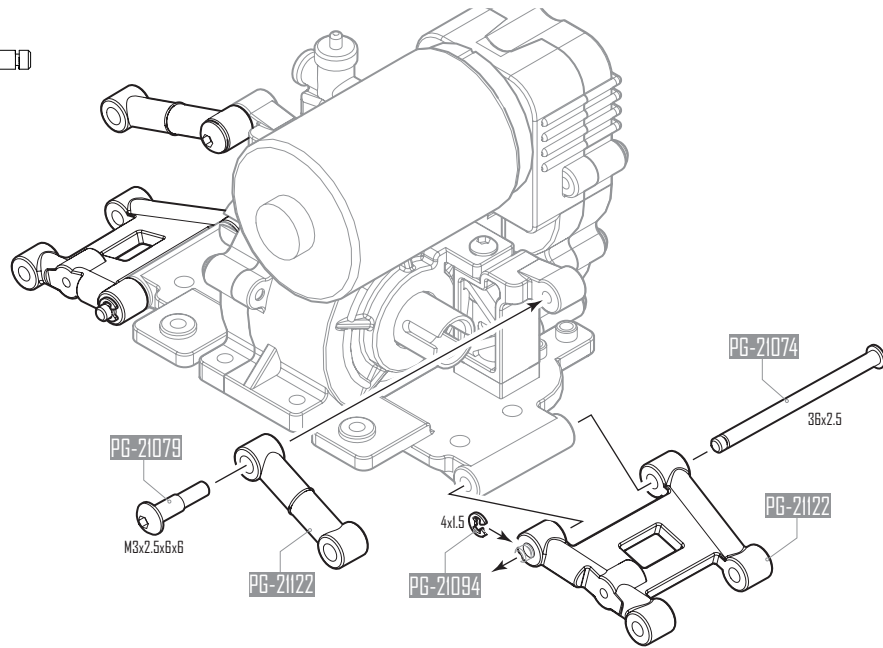
36x2.5mm x2



M3x2.5x6x6mm x2



4x1.5mm x2



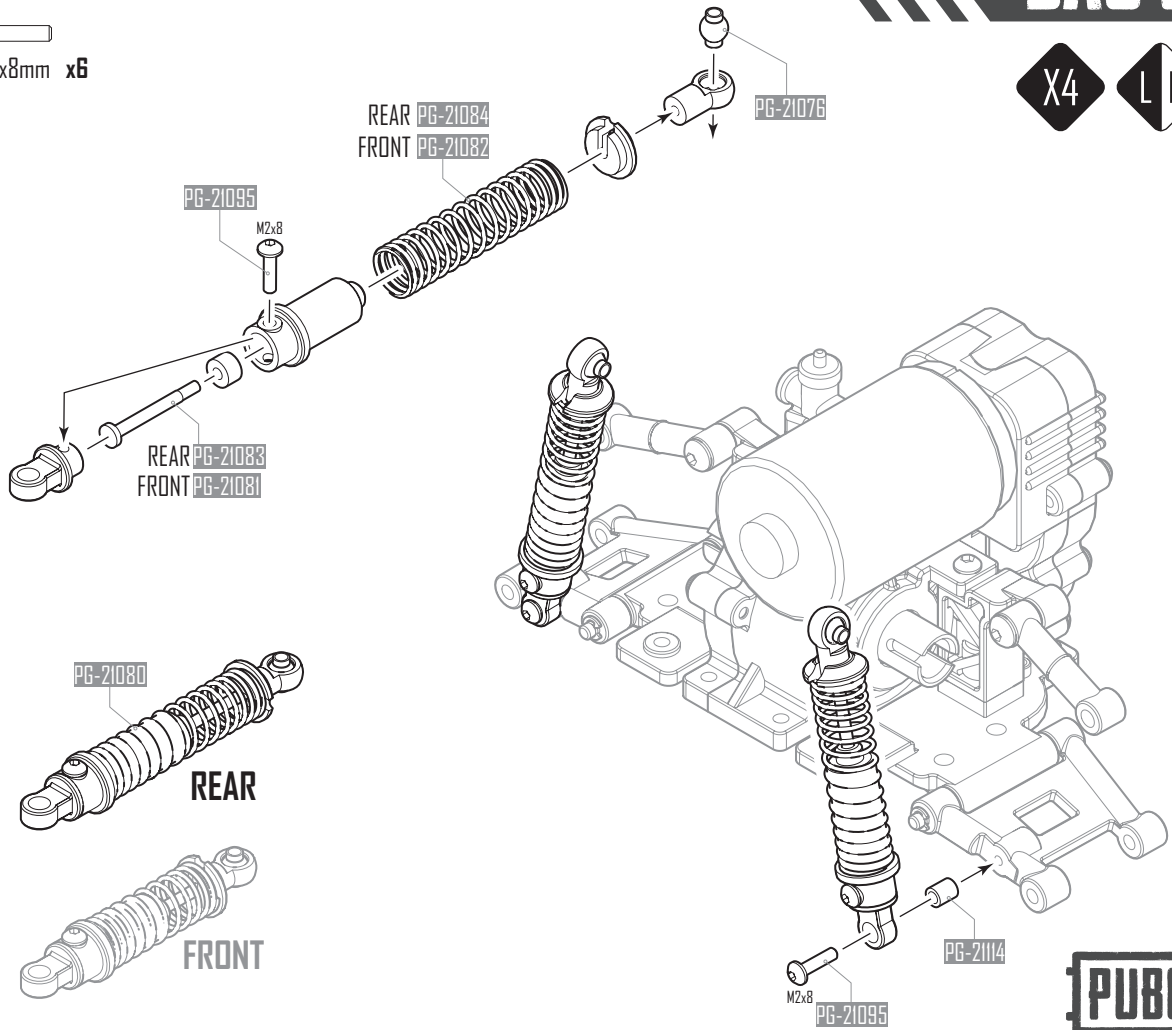
STEP 5

REAR SHOCKS 後避震器

BAG C



M2x8mm x6

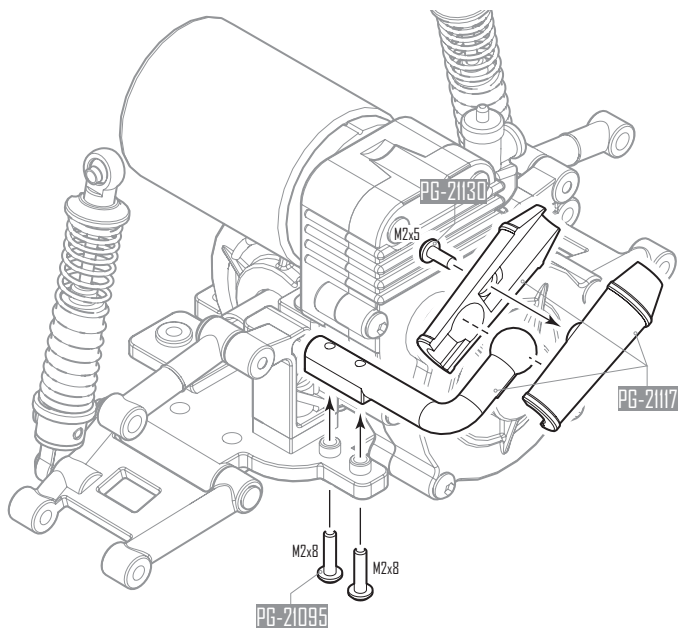




STEP 6 // EXHAUST PIPE 排氣管

M2x5mm x1

M2x8mm x2



STEP 7 // SERVO 伺服機

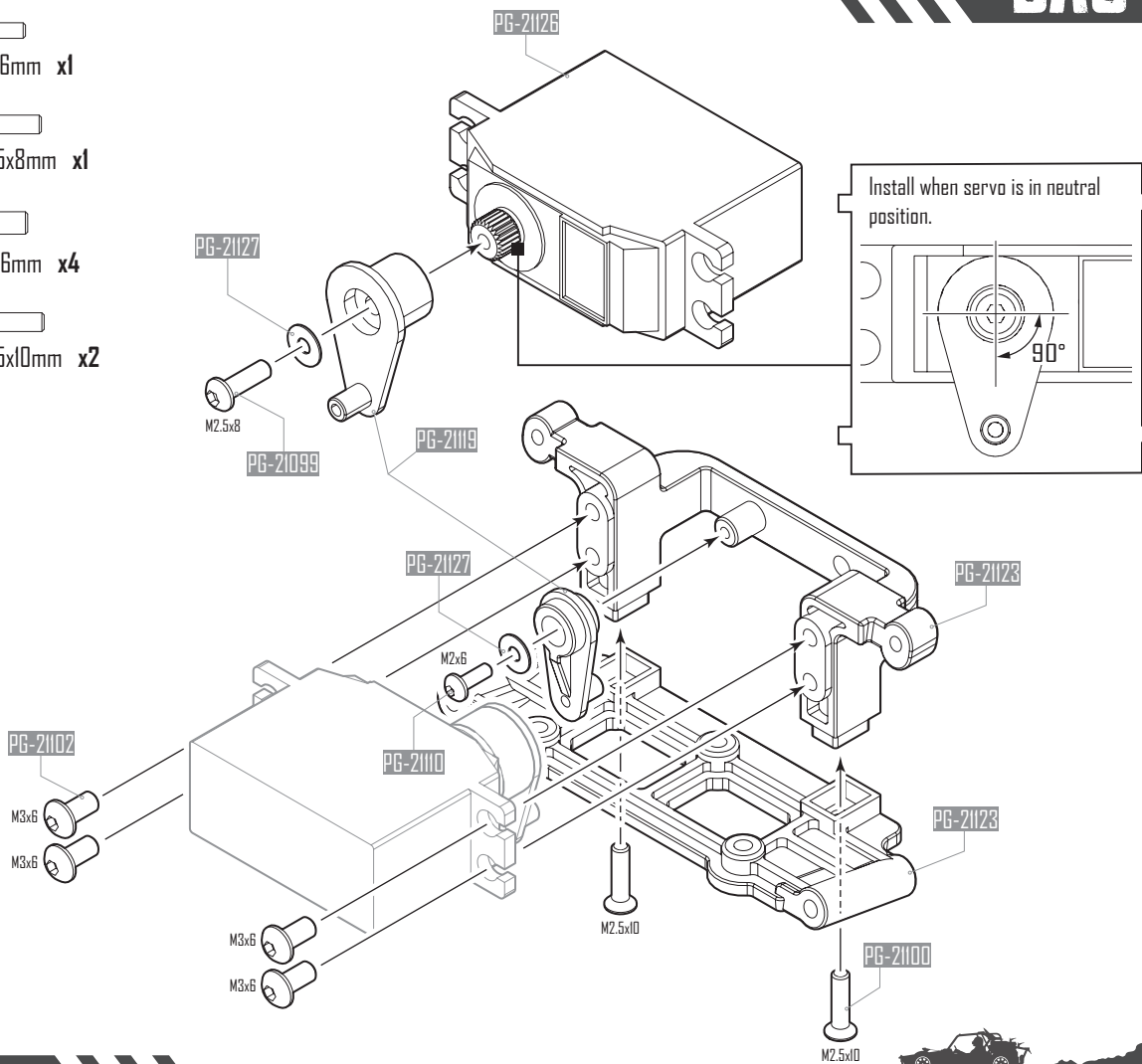
BAG D

M2x6mm x1

M2.5x8mm x1

M3x6mm x4

M2.5x10mm x2



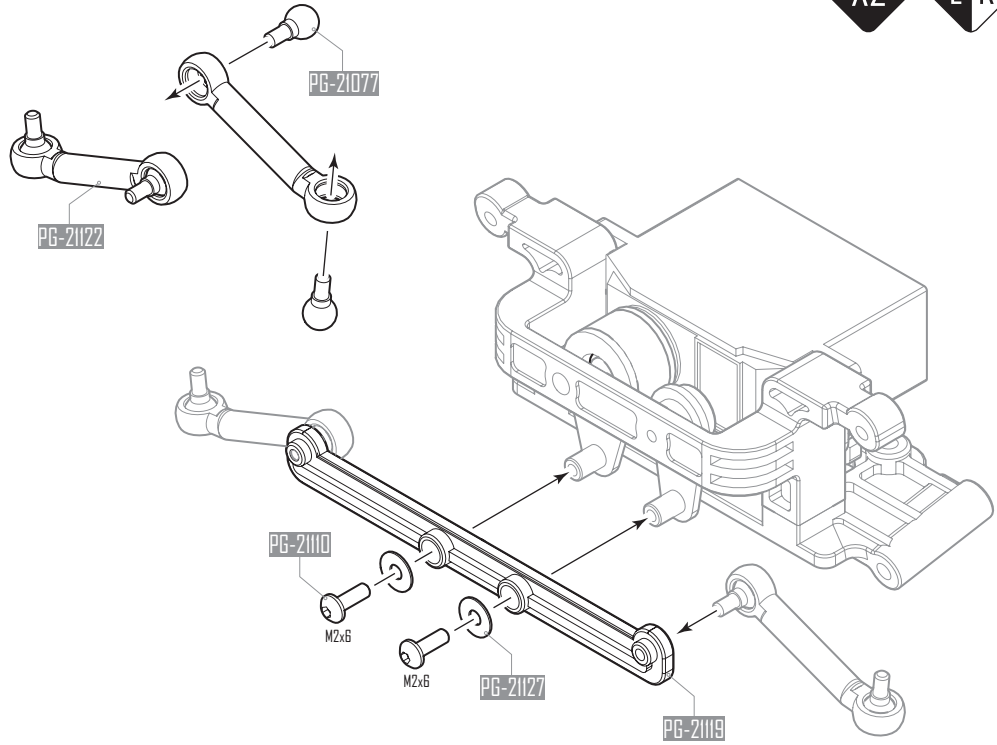


STEP 8

STEERING ROD 轉向拉桿

M2x6mm x2

X2 L R



STEP 9

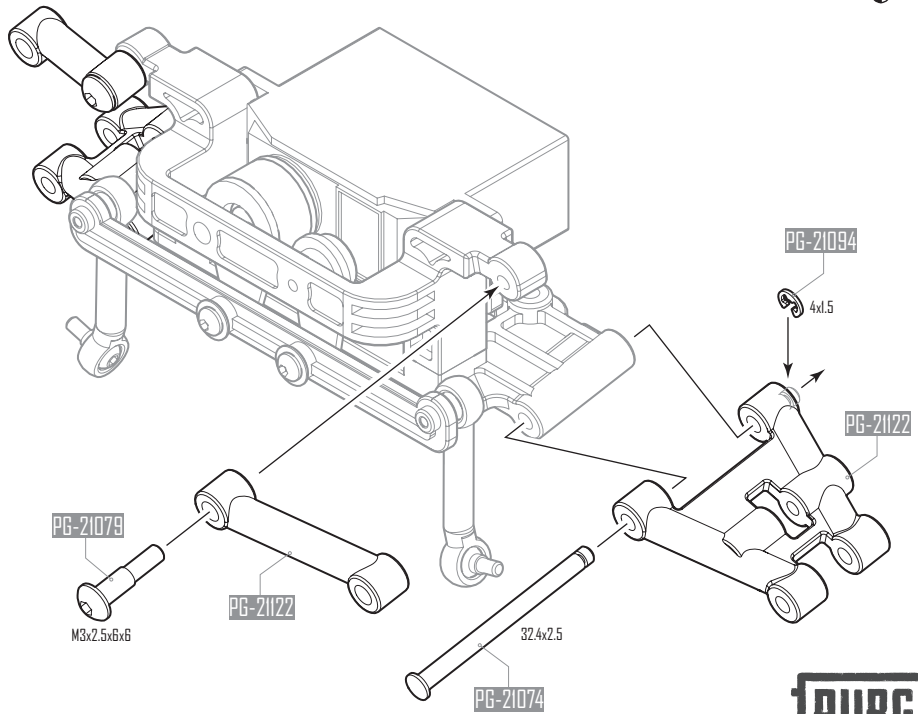
FRONT SUSPENSION 前擺臂

32.4x2.5mm x2

M3x2.5x6x6mm x2

4x1.5mm x2

L R



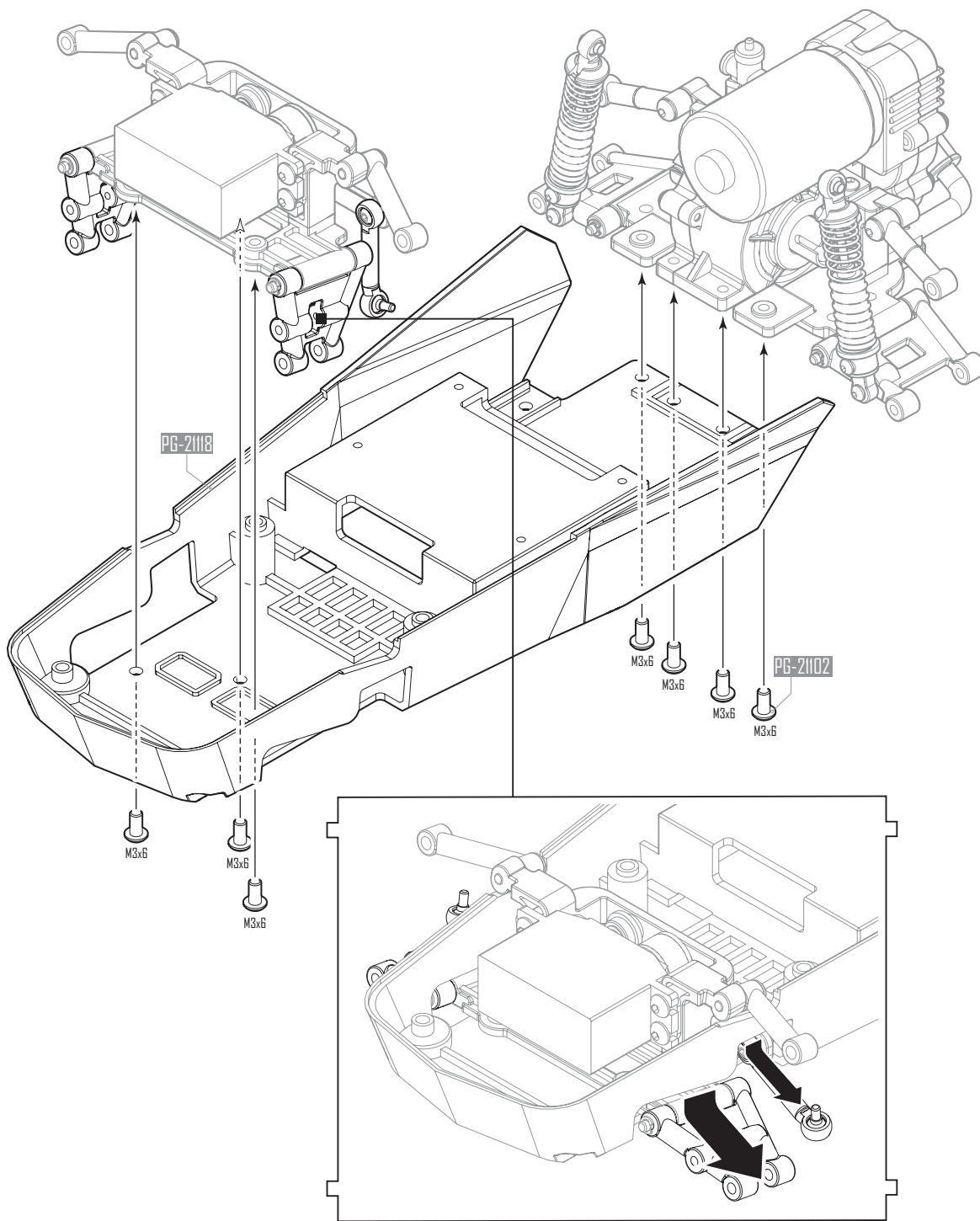


STEP 10

BODY ASSEMBLY 車主體



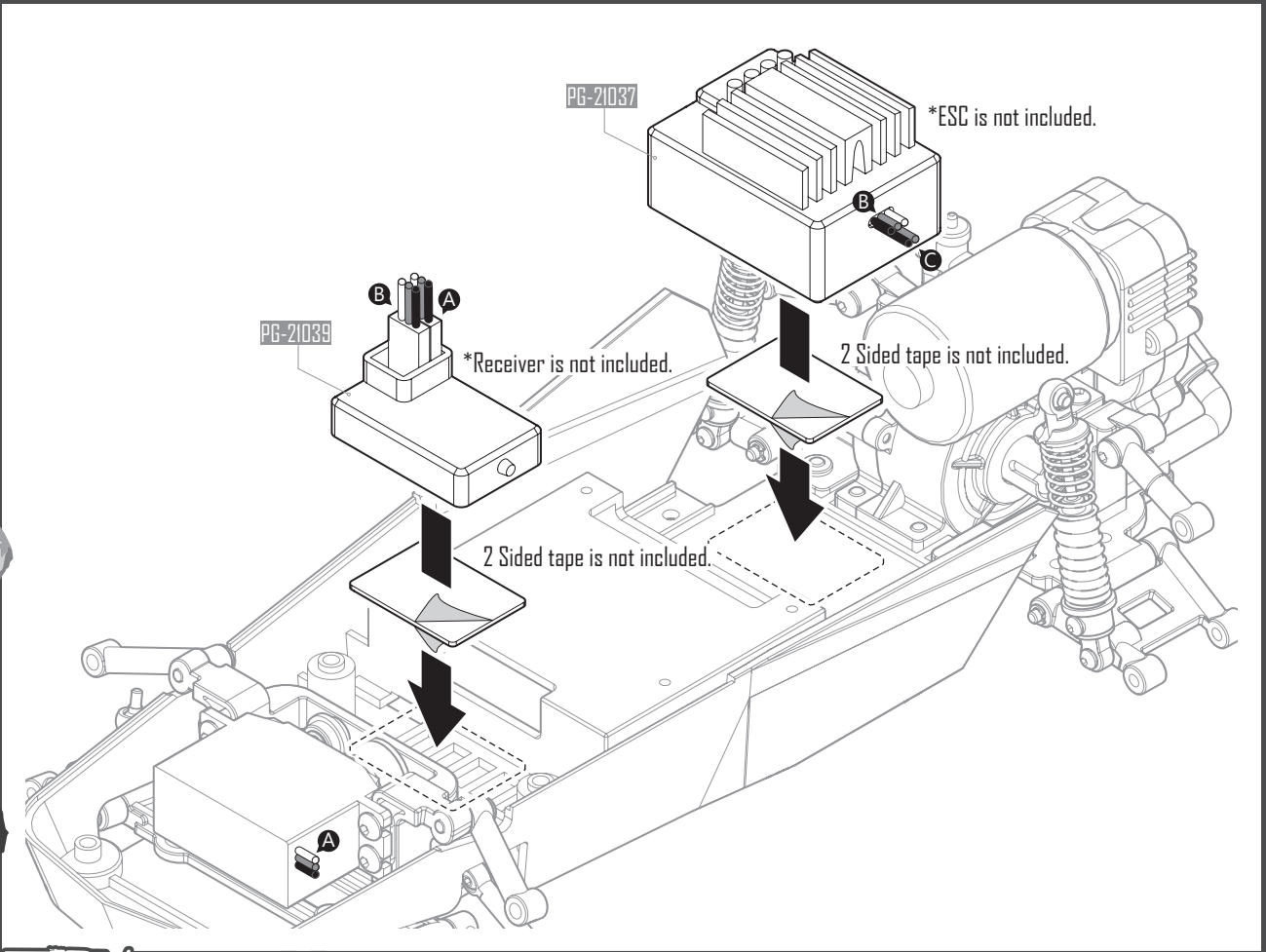
M3x6mm x7





STEP 11

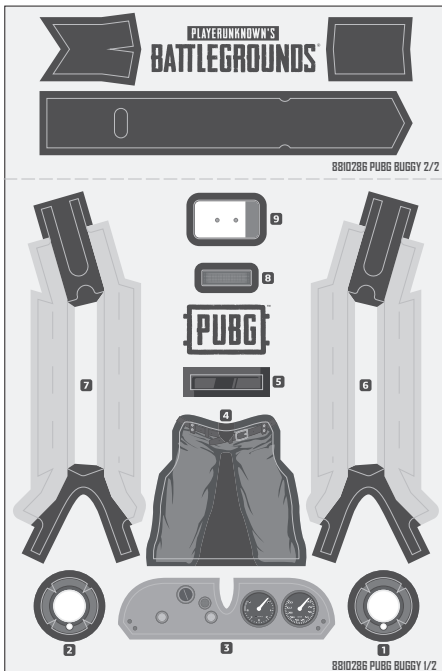
ESC AND RECEIVER 電子變速器與接收機



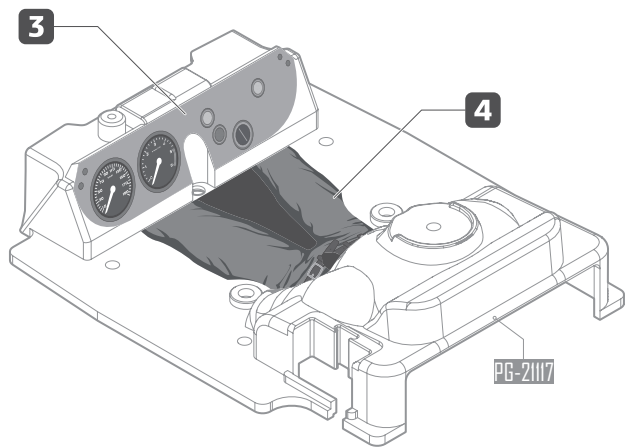
STEP 12

DRIVER SET 駕駛人偶

BAG E



PG-21129





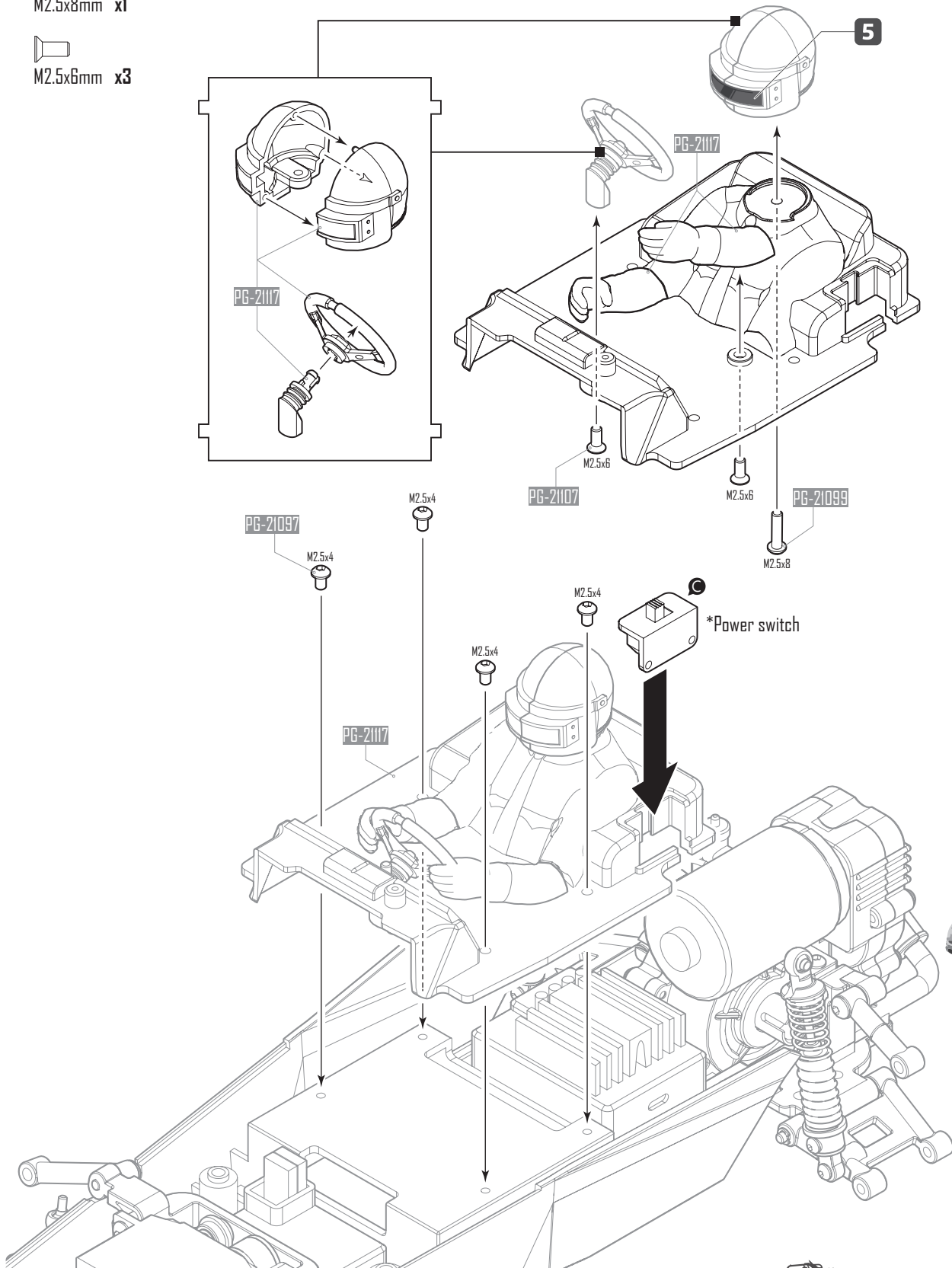
M2.5x4mm x4



M2.5x8mm x1



M2.5x6mm x3





STEP 13

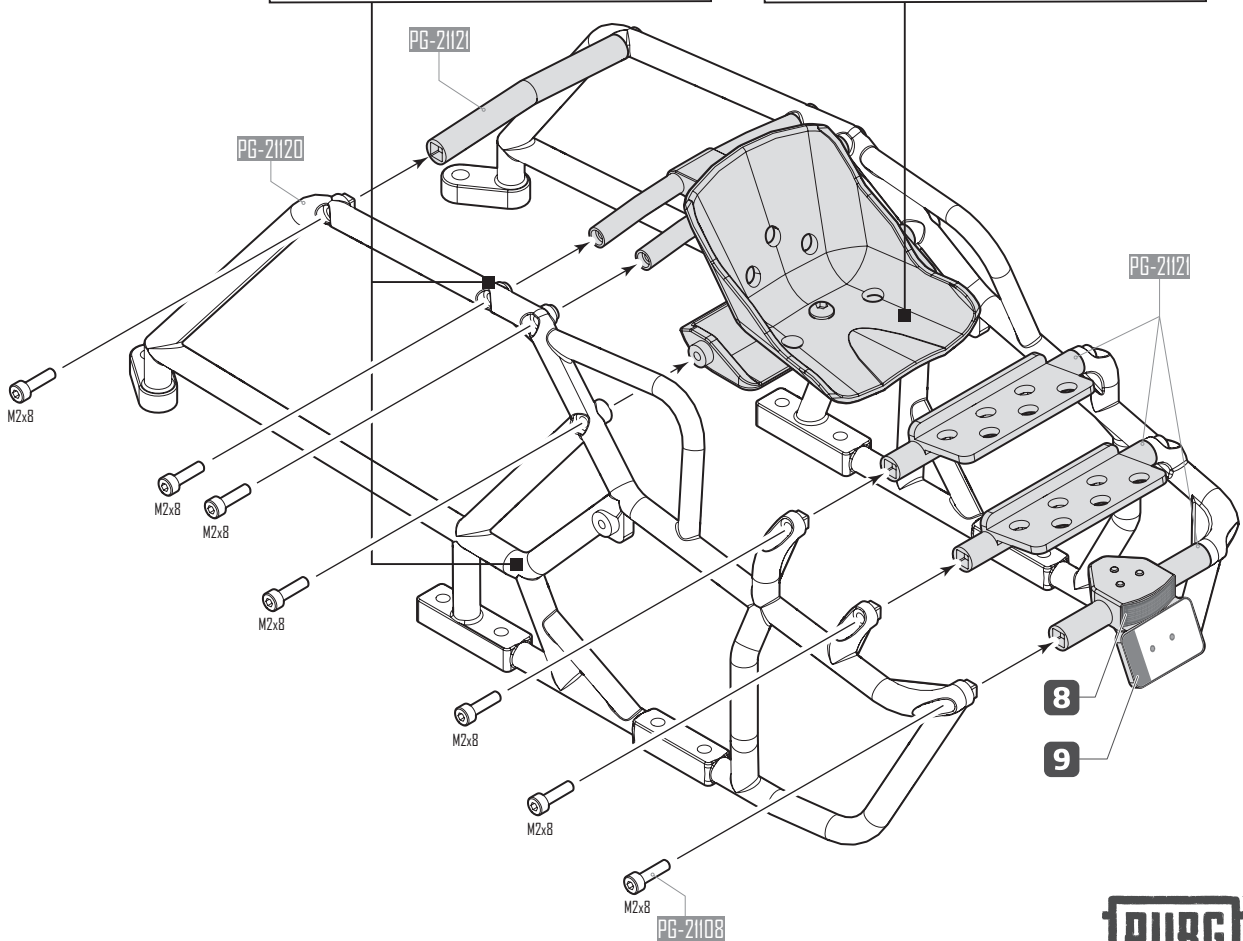
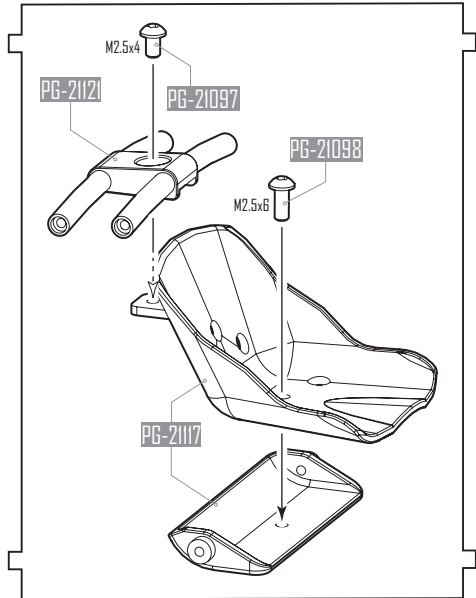
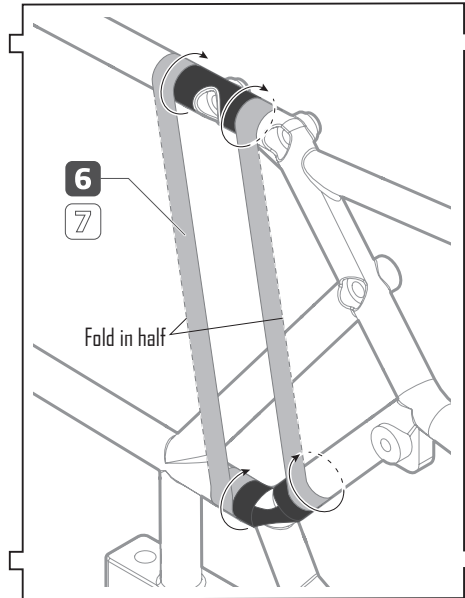
ROLL CAGE 防滾籠



M2.5x4mm x1

M2.5x6mm x1

M2x8mm x14





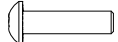
STEP 14

SHOCK MOUNT 避震器架

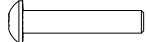
BAG F



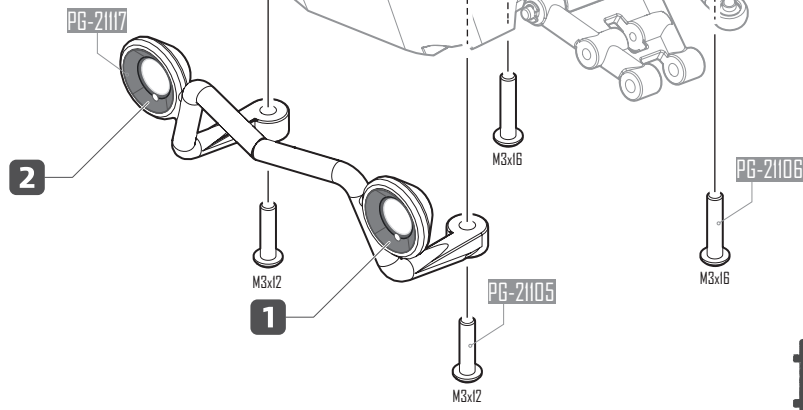
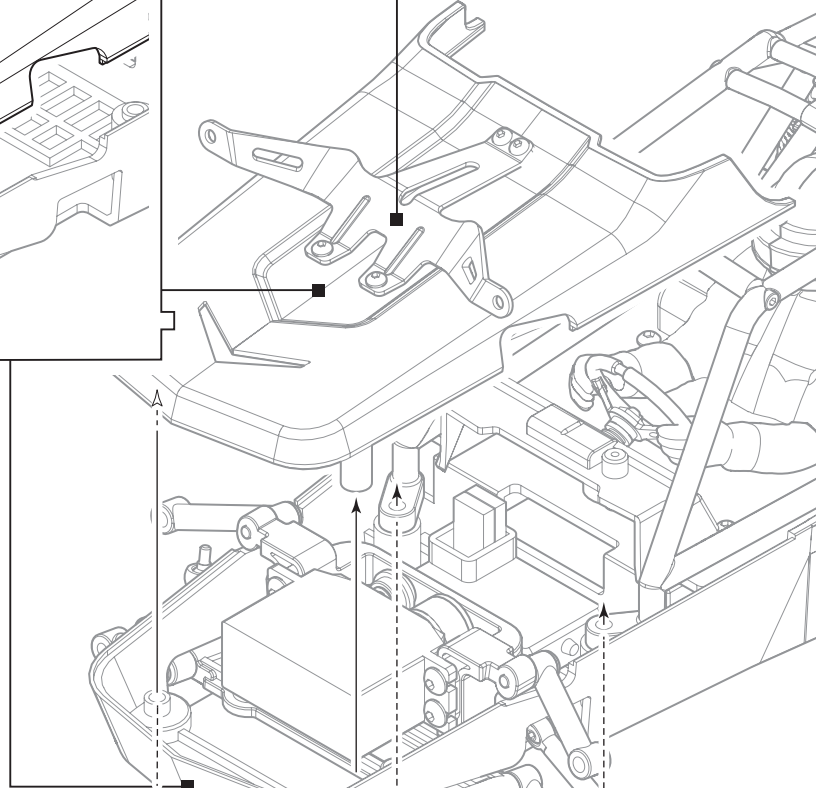
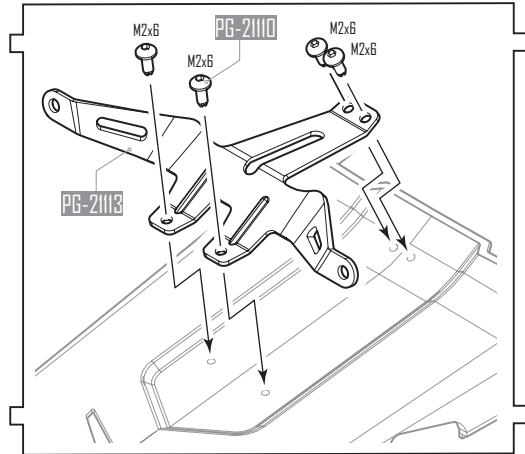
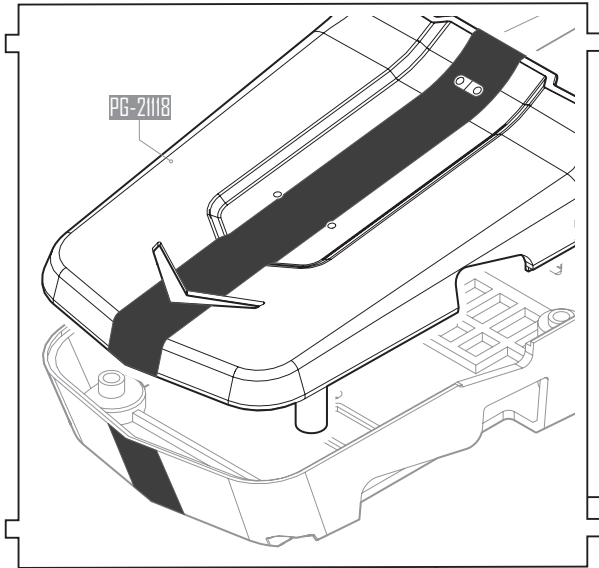
M2x6mm x4



M3x12mm x2



M3x16mm x2





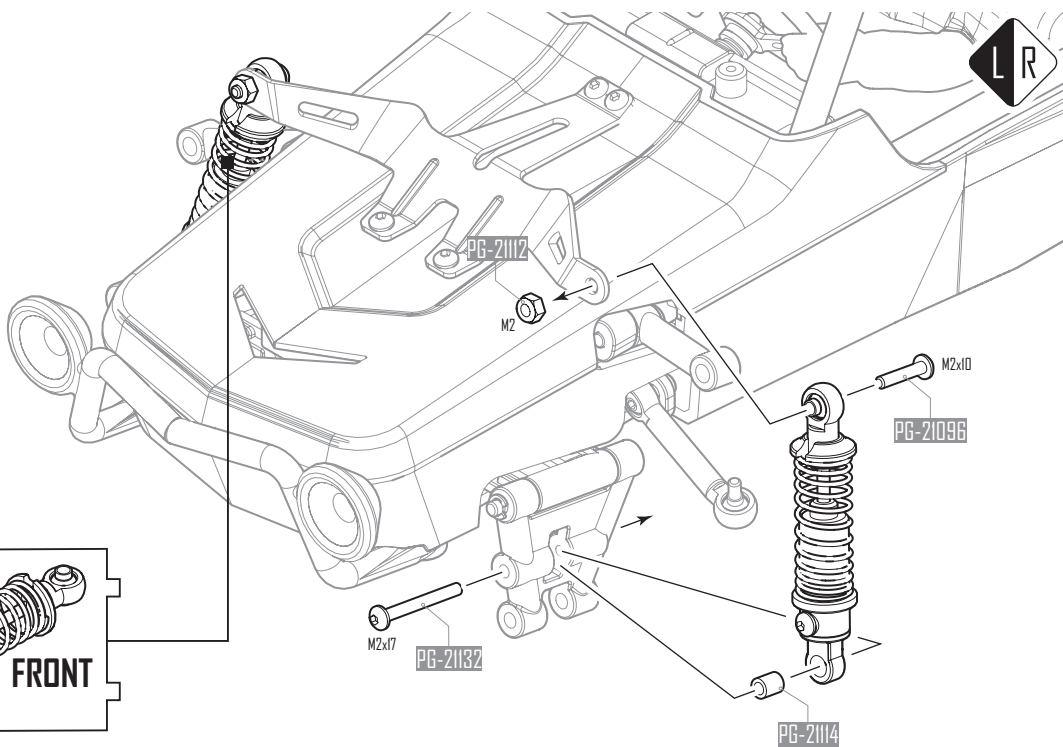
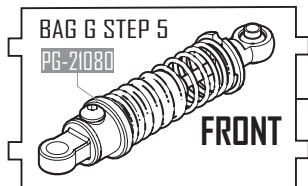
STEP 15

FRONT SHOCKS 前避震器

M2x10mm x2

M2x17mm x2

M2 x2



STEP 16

FRONT STEERING KNUCKLE 前轉向輪座

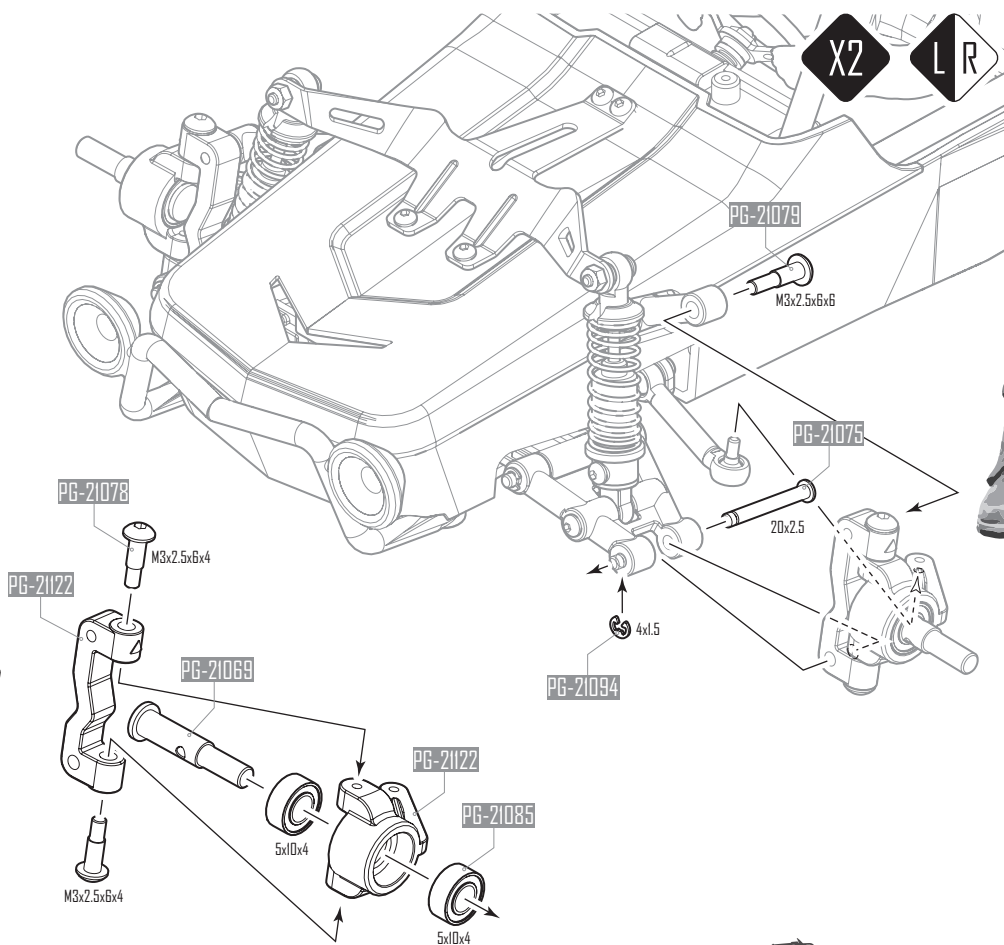
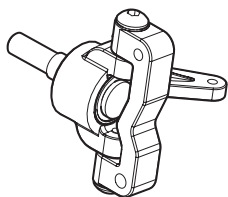
20x2.5mm x2

M3x2.5x6x4mm x4

M3x2.5x6x6mm x2

5x10x4mm x4

4x1.5mm x2





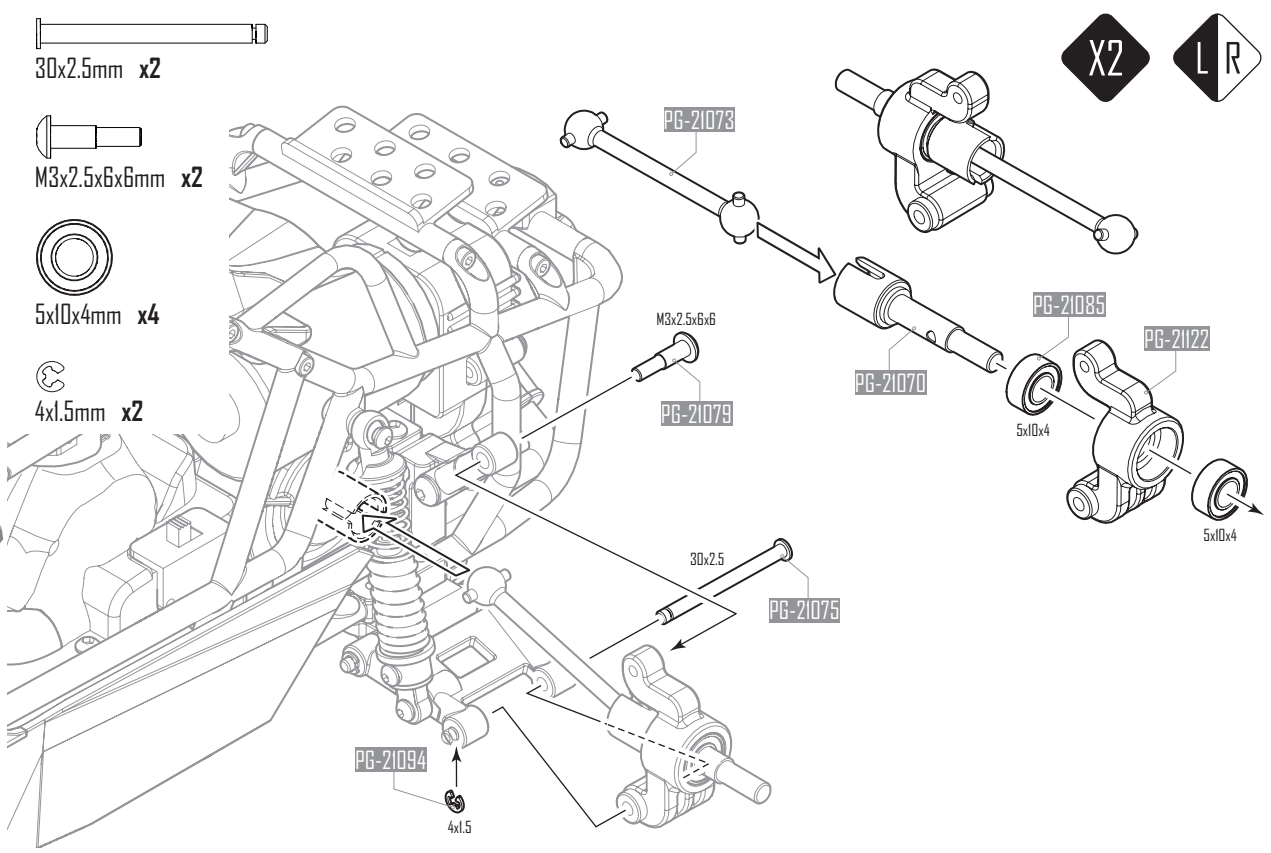
STEP 17 REAR KNUCKLE 後輪座

30x2.5mm x2

M3x2.5x6x6mm x2

5x10x4mm x4

4x1.5mm x2

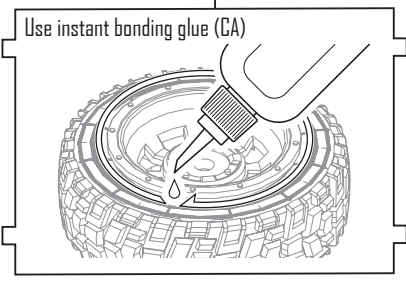
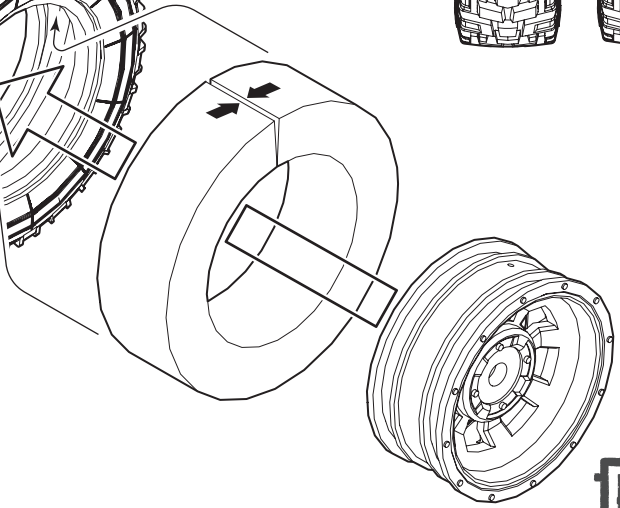
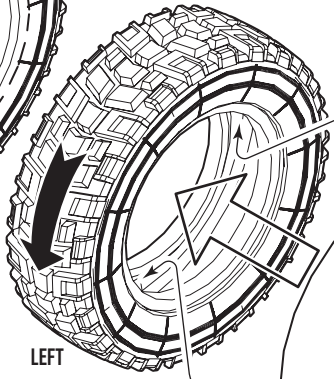
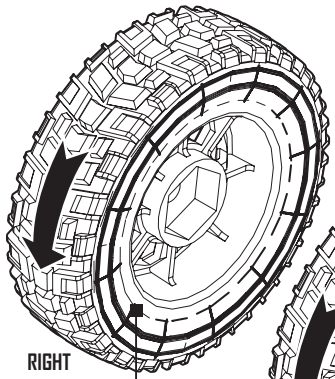
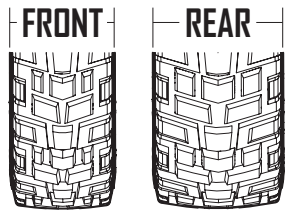


X2 LR



STEP 18 TIRES AND WHEELS 輪胎與輪框

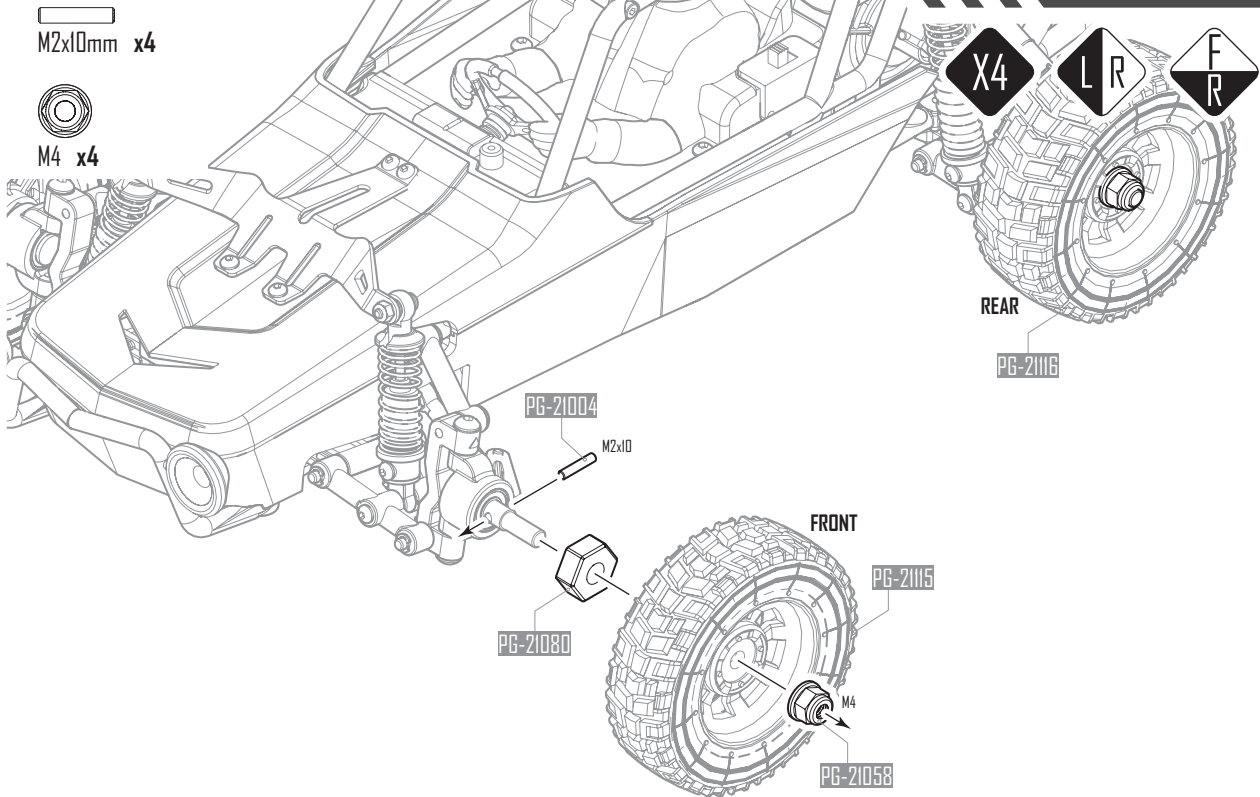
X4 LR FR



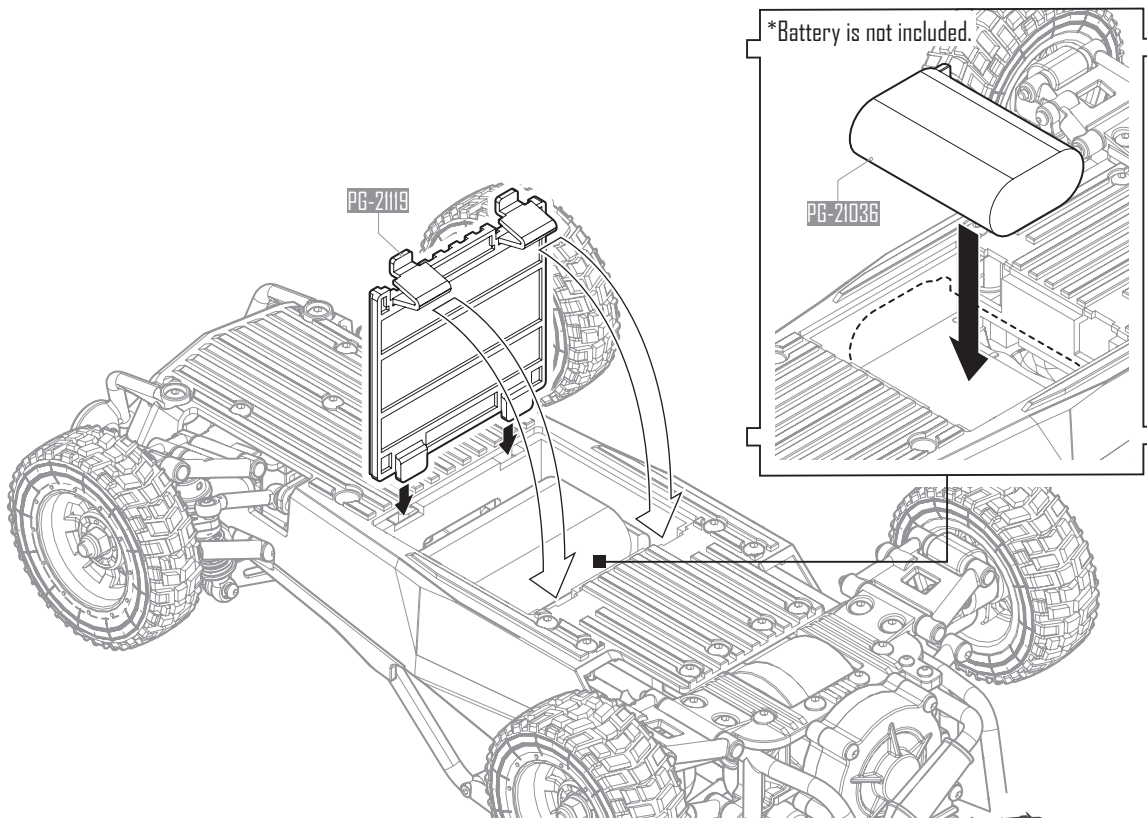


STEP 19 TIRE 輪胎

BAG G



STEP 20 BATTERY 電池





PART#	DESCRIPTION 品名	PART#	DESCRIPTION 品名
PG-21003	SPUR GEAR SHAFT PIN (2PCS) >>> 中差齒固定軸 PIN 2X7.8 (2PCS)	PG-21075	PUBG BUGGY KNUCKLE PIN F/R (2PCS ea.) >>> PUBG BUGGY 輪座插銷 (2PCS ea.)
PG-21004	WHEEL NUT PIN (4PCS) >>> 輪胎轉接座 PIN (4PCS)	PG-21076	PUBG BUGGY SHOCK BALLEND SET (4PCS) >>> PUBG BUGGY 避震器球頭 (4PCS)
PG-21023	DIFF BEVEL GEAR 39T (1PC) >>> 大齒輪 39T (1PC)	PG-21077	PUBG BUGGY STEERING BALL END (4PCS) >>> PUBG BUGGY 轉向拉桿球頭 (4PCS)
PG-21024	PINION GEAR 16T (1PC) >>> 小齒輪 16T (1PC)	PG-21078	PUBG BUGGY C-HUB SCREW (4PCS) >>> PUBG BUGGY C 座螺絲 (4PCS)
PG-21026	GEAR DIFF CASE (1PC) >>> 差速殼 (1PC)	PG-21079	PUBG BUGGY LINK SCREW (8PCS) >>> PUBG BUGGY 前後拉桿螺絲 (8PCS)
PG-21027	DIFFERENTIAL SET (1PC) >>> 差速組 (1PC)	PG-21080	PUBG BUGGY COMPLETE SHOCKS SET (2PCS ea.) >>> PUBG BUGGY 前後筒身完成組 (各兩隻) (2PCS ea.)
PG-21028	CENTER SPUR GEAR 56T (1PC) >>> 中差齒 56T (1PC)	PG-21081	PUBG BUGGY FRONT SHOCK SHAFT (2PCS) >>> PUBG BUGGY 前避震軸心 (2PCS)
PG-21036	Li-ion 850mAh BATTERY (1PC) >>> 850mAh 鋰鐵電池 T 插 (1PC)	PG-21082	PUBG BUGGY FRONT SHOCK SPRING (2PCS) >>> PUBG BUGGY 前避震彈簧 - 紅色 (2PCS)
PG-21037	BRUSHED WATERPROOF ESC (1PC) >>> 防水電子變速器 (1PC)	PG-21083	PUBG BUGGY REAR SHOCK SHAFT (2PCS) >>> PUBG BUGGY 後避震軸心 (2PCS)
PG-21039	2.4G RADIO SET (1SET) >>> 2.4G 遙控器組 (1SET)	PG-21084	PUBG BUGGY REAR SHOCK SPRING (2PCS) >>> PUBG BUGGY 後避震彈簧 - 紅色 (2PCS)
PG-21041	CENTER DIFF GEAR (1PC) >>> 中差減速齒 (1PC)	PG-21085	BALL BEARING 5X10X4 (4PCS) >>> 5x10x4 防塵軸承 (4PCS)
PG-21042	BEARING 3x6x2.5 (2PCS) >>> 軸承 3x6x2.5 (2PCS)	PG-21086	BALL BEARING 5X11X4 (4PCS) >>> 5x11x4 防塵軸承 (4PCS)
PG-21058	M4 LOCK NUT (4PCS) >>> M4 尼帽 (4PCS)	PG-21087	BALL BEARING 10X15X4 (4PCS) >>> 10x15x4 防塵軸承 (4PCS)
PG-21059	USB CHARGER 7.4V (1PC) >>> USB 充電線 7.4V(輸出 500mAh) (1PC)	PG-21088	18T PINION GEAR (1PC) >>> 18T 馬達齒 (1PC)
PG-21069	PUBG BUGGY FRONT WHEEL AXLE (2PCS) >>> PUBG BUGGY 前輪軸 (2PCS)	PG-21089	14T GEAR (2PCS) >>> 14T 大傘齒 (2PCS)
PG-21070	PUBG BUGGY REAR OUTDRIVE (2PCS) >>> PUBG BUGGY 後接杯 (2PCS)	PG-21090	SHIM 5x11.5x0.2 (3PCS) >>> 5mm 大傘齒墊片 5x11.5x0.2 (3PCS)
PG-21071	PUBG BUGGY DIFF. OUTDRIVE (2PCS) >>> PUBG BUGGY 差速接杯 (2PCS)	PG-21091	PUBG BUGGY DIFF. SHIM (1PC) >>> PUBG BUGGY 差速墊片 (1PC)
PG-21072	PUBG BUGGY GEAR SHAFT (4PCS) >>> PUBG BUGGY 大直齒固定軸 (4PCS)	PG-21092	O-RINGS 5X7.5X1.5 (5PCS) >>> O 環 5x7.5x1.5(紅色) (5PCS)
PG-21073	PUBG BUGGY REAR DOGBONE (2PCS) >>> PUBG BUGGY 後狗骨 38mm (2PCS)	PG-21093	PIN 3.0x13.8 (4PCS) >>> PIN 3.0x13.8mm (4PCS)
PG-21074	PUBG BUGGY ARMS PIN F/R (2PCS ea.) >>> PUBG BUGGY 擺臂插銷 (2PCS ea.)	PG-21094	E-CLIPS 1.5mm & 2.5mm (4PCS ea.) >>> E 扣組 (1.5mm & 2.5mm) (4PCS ea.)



PART#	DESCRIPTION 品名
PG-21095	BUTTON HEAD SCREW M2.0x8 (6PCS) >>> 圓頭內六角螺絲 M2x8 (6PCS)
PG-21096	BUTTON HEAD SCREW M2.0x10 (6PCS) >>> 圓頭內六角螺絲 M2x10 (6PCS)
PG-21097	BUTTON HEAD SCREW M2.5x4 (6PCS) >>> 圓頭內六角螺絲 M2.5x4 (6PCS)
PG-21098	BUTTON HEAD SCREW M2.5x6 (6PCS) >>> 圓頭內六角螺絲 M2.5x6 (6PCS)
PG-21099	BUTTON HEAD SCREW M2.5x8 (6PCS) >>> 圓頭內六角螺絲 M2.5x8 (6PCS)
PG-21100	BUTTON HEAD SCREW M2.5x10 (6PCS) >>> 圓頭內六角螺絲 M2.5x10 (6PCS)
PG-21101	BUTTON HEAD SCREW M2.5x14 (6PCS) >>> 圓頭內六角螺絲 M2.5x14 (6PCS)
PG-21102	BUTTON HEAD SCREW M3.0x6 (6PCS) >>> 圓頭內六角螺絲 M3x6 (6PCS)
PG-21103	BUTTON HEAD SCREW M3.0x8 (6PCS) >>> 圓頭內六角螺絲 M3x8 (6PCS)
PG-21104	BUTTON HEAD SCREW M3.0x10 (6PCS) >>> 圓頭內六角螺絲 M3x10 (6PCS)
PG-21105	BUTTON HEAD SCREW M3.0x12 (6PCS) >>> 圓頭內六角螺絲 M3x12 (6PCS)
PG-21106	BUTTON HEAD SCREW M3.0x16 (6PCS) >>> 圓頭內六角螺絲 M3x16 (6PCS)
PG-21107	FLAT HEAD SCREW M2.5x6 (6PCS) >>> 平頭內六角螺絲 M2.5x6 (6PCS)
PG-21108	FLAT HEAD SCREW M2x8 (6PCS) >>> 平頭內六角螺絲 M2x8 (6PCS)
PG-21109	FLAT HEAD SCREW M3.0x6 (6PCS) >>> 平頭內六角螺絲 M3x6 (6PCS)
PG-21110	CAP HEAD SCREW M2.0x6 (6PCS) >>> 有頭螺絲 M2x6 (6PCS)
PG-21111	SET SCREWS M3x3 (4PCS) >>> M3x3 止付 (4PCS)
PG-21112	M2 LOCK NUT (6PCS) >>> M2 防鬆螺帽 (6PCS)
PG-21113	PUBG BUGGY FRONT SHOCK MOUNT (IPC) >>> PUBG BUGGY 前避震器固定板 (IPC)
PG-21114	PUBG BUGGY SPACERS (4PCS) >>> PUBG BUGGY 下拉桿頭襯套 (4PCS)

PART#	DESCRIPTION 品名
PG-21115	PUBG BUGGY FRONT TIRE COMPLETE SET (2 SETS) >>> PUBG BUGGY 前輪胎完成組 (2 入) (2 SETS)
PG-21116	PUBG BUGGY REAR TIRE COMPLETE SET (2 SETS) >>> PUBG BUGGY 後輪胎完成組 (2 入) (2 SETS)
PG-21117	PUBG BUGGY DRIVER ACCESSORIES (ISET) >>> PUBG BUGGY 車殼配件組 (ISET)
PG-21118	PUBG BUGGY CHASSIS SET (ISET) >>> PUBG BUGGY 底盤組 (ISET)
PG-21119	PUBG BUGGY BATTERY TRAY SET (ISET) >>> PUBG BUGGY 電池盒組 (ISET)
PG-21120	PUBG BUGGY ROLL CAGE SET (L/R) (ISET) >>> PUBG BUGGY 防滾架組 (左 / 右) (ISET)
PG-21121	PUBG BUGGY ROLL CAGE SET (TOP) (ISET) >>> PUBG BUGGY 防滾架組 (上) (ISET)
PG-21122	PUBG BUGGY SUSPENSION ARMS SET (F/R) (ISET) >>> PUBG BUGGY 擺臂拉桿組 (ISET)
PG-21123	PUBG BUGGY ARMS MOUNT SET (ISET) >>> PUBG BUGGY 擺臂拉桿固定組 (ISET)
PG-21124	PUBG BUGGY GEARBOX SET (ISET) >>> PUBG BUGGY 齒輪箱組 (ISET)
PG-21125	PUBG BUGGY BRUSHED MOTOR (IPC) >>> PUBG BUGGY 380 有刷馬達 (IPC)
PG-21126	PUBG BUGGY SERVO (IPC) >>> PUBG BUGGY 伺服機 (IPC)
PG-21127	PUBG BUGGY SHIM 2x6x0.4 (6PCS) >>> PUBG BUGGY 墊片 (2x6x0.4) (6PCS)
PG-21128	PUBG BUGGY SERVO LEAD EXTENSION (IPC) >>> PUBG BUGGY 伺服器延長線 (IPC)
PG-21129	PUBG BUGGY BODY DECAL (IPC) >>> PUBG BUGGY 車殼貼紙 (IPC)
PG-21130	BUTTON HEAD SCREW M2x5 (6PCS) >>> 圓頭內六角螺絲 M2x5 (6PCS)
PG-21132	BUTTON HEAD SCREW M2x17 (6PCS) >>> 圓頭內六角螺絲 M2x17 (6PCS)
PG-21133	BUTTON HEAD SCREW M2.5x12 (6PCS) >>> 圓頭內六角螺絲 M2.5x12 (6PCS)



PUBG BUGGY